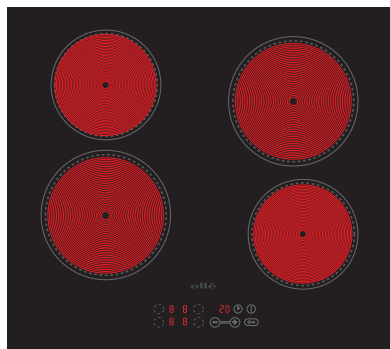


# ollé

## Instruction Manual of CERAMIC COOKER HOB



**Model: MC- HF601**

---

Dear customer:

Thank you for purchasing the Ollé ceramic cooker hob.

Our product can serve you many years to your satisfaction.

Please read this instructions manual carefully before using and installation.

Keep it in a good place after reading for future reference.

Thank you again for your purchase of Ollé ceramic cooker hob, and wish you to enjoy the pleasure brought about by it.

---

## **Product Introduction**

Ollé MC-HF601 microcomputer ceramic cooker hob can meet different kinds of cuisine demands because of resistance wire heating, micro-computerized control and multi-power selection, really the optimal choice for modern families.

Ollé Ceramic cooker hob centers on customers and adopts personalized design. The unit has safe and reliable performances, making your life comfortable and enabling to fully enjoy the pleasure from life.

## **Working Principle**

Ollé MC-HF601 microcomputer ceramic cooker hob directly employs resistance wire heating, and realizes power regulation with the microcomputer controlling different heating time and closing time of the resistance wire.

## Safety

### 1 High temperature protection

The temperature sensor mounted on the radiant electric the temperature inside the cooker from time to time. When an excessive temperature is detected, the cooking plate will be directly disconnected and stop power output.

### 2 Residual heat indicators

After using the hob waste heat remains in the heating area. The firepower nixie tube shows the code "H", warning to be away from the heating area.

### 3 Auto shutdown protection

During the hob working, it is shut off automatically when the default timing reach by the program if without operating.

The default working time for various firepower levels are shown in the table below:

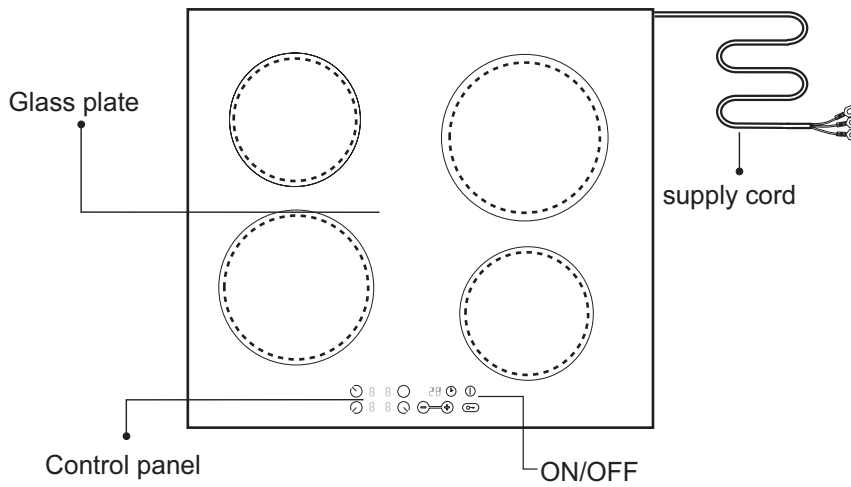
Power level	1	2	3	4	5	6	7	8	9
Default time (hour)	10	8	7	6	5	4	3	2	1

Note:

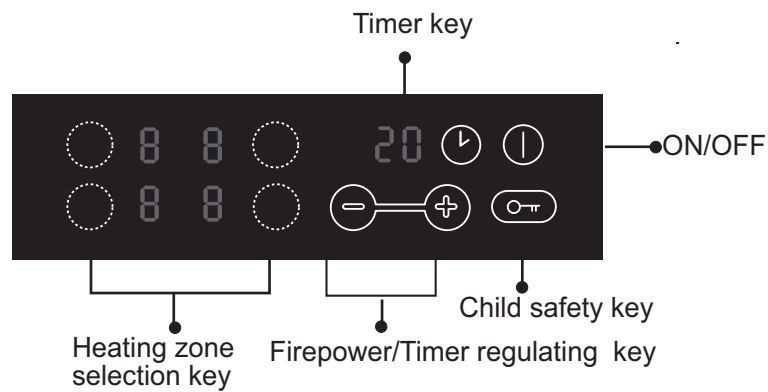
If several heating zones work simultaneously, the hob will be automatically shut off when anyone heating area reaches it's default timer.

## Control panel

### The ceramic cooker hob appearance



### Schematic diagram of the control panel



## Instructions for Use

### Preparation before using:

After power on, the hob enters standby mode, the firepower indicator display "-" and the timing indicator with dynamic display.

Put the pot in the center of the heating zone.

### Operation Instructions

After the "⓪" key is pressed, all the indicators show "0". Press the anynone heating zone, the corresponding firepower level indicator flashing. To adjust the firepower levels by the "+" / "-" key.

Note: After the "⓪" button is pressed, the hob will restore to standby mode if no any operation within 2 minutes.

**Timer function:** press Ⓛ, the indicator flashing. Press the "+" / "-" keys, the user can set the timer range from 1 to 99 minutes. When the "+" key is pressed, the set timer will increase by 1 minute; when the "-" key is pressed, the set timer will increase by 10 minutes. To confirm the timer by press Ⓛ.

Note:

When the timer is set "00", the hob heating with default timer.

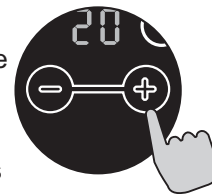
**Child safety function:** To ensure the safety of children, the hob is provided with the function of child safety.

**Locking:** Press Ⓚ, the hob enters the locking state, with the timing indicator showing "Lo" and the rest keys disabled expect "⓪" button.

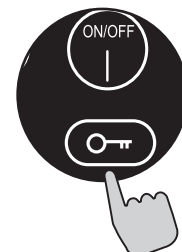
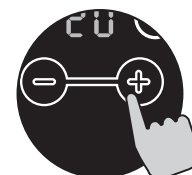
**Unlocking:** In the locking mode of the hob, exit the locking mode automatically by press Ⓚ.



ON/OFF



Timer



Child safety

## Installation

### Selection of installation equipment

- 1 Drill holes on the table surface according to the sizes shown in the drawing. For the purpose of installation and use, a minimum of 50 mm space shall be preserved around the hole. Be sure the thickness of the table surface is at least 30 mm. Please select heat-resistant table material to avoid larger deformation caused by the heat radiation from the cooker.

As shown in Figure (1)

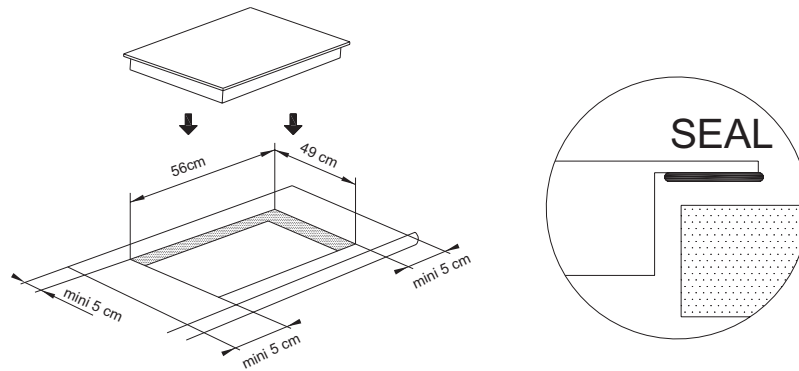


Figure 1

- 2 Owing to the high temperature inside the infrared cooker, make sure good ventilation is provided in order to assure its normal operation. As shown in Figure (2)

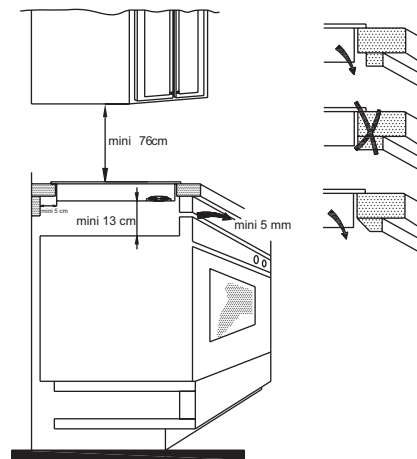
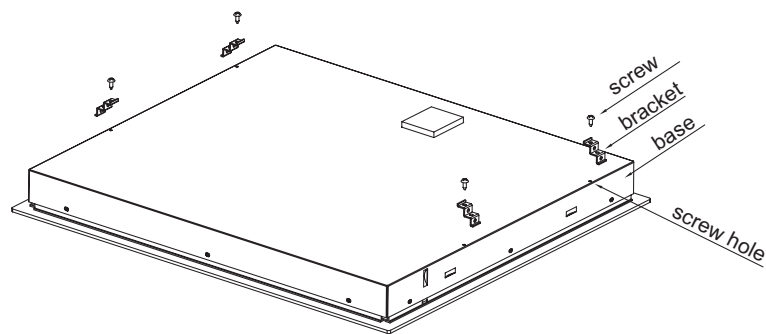


Figure 2

- 3** Fix the hob on the table by screw four brackets on the bottom of hob (see picture) after installation. Adjust the bracket position to suit for different table top thickness.



- 4** The ceramic cooker hob is recommended to be installed by professional. Please never conduct the operation by yourself.
- 5** The wall and heating area above the table surface shall withstand heat.
- 6** To avoid danger, the ceramic cooker hob must be installed into the cabinet before use.
- 7** Applicable cabinet material : wood ,marble,resin ect.
- 8** The color of the cabinet can be various such as white,black,ect.

9 To avoid any damage, the sandwich layer and adhesive must be resistant to heat.

10 When cooker is being turned on, the underside temperature may be higher than 95°C. Therefore, a barrier must be installed under the hob. Minimum distance from underside of hob to barrier is 13cm.

**11 Supply cord connection**

Connect to the mains using the 3×2.5mm<sup>2</sup> Supply cord including one earth line (yellow/green), one live line (brown) and one neutral line (blue). The socket shall be connected according to the relevant standard or connected to a single-pole cut-out. To replace a damaged cable, please use dedicated tools provided by the after-sale dealer. The method of connection is shown in the figure:

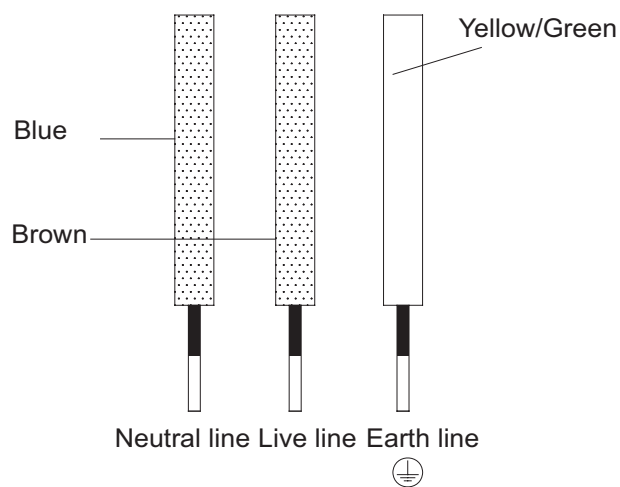
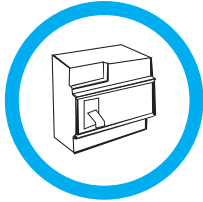


Figure 3

Note: The ceramic hob can be connected only to a supply with system impedance no more than 0.233Ω, In case necessary, please consult your supply authority for system impedance information.

## Safety Reminding



A dedicated power protection air switch must be incorporated in the fixed wiring in accordance with the wiring rules.



Never use the ceramic cooker hob in high temperature environments such as near a gas stove or kerosene stove.



Never wash the ceramic cooker hob with water directly to avoid danger. Steam cleaner is not to be used.



Never have the cooker to work without food inside, otherwise its operational performance may be affected and danger may happen.



For sealed foods such as canned goods, please do not heat them before opening their covers so as to avoid any dangers of explosion due to heating expansion.



This appliance is not intended to be used by young children or infirm persons unless they have been adequately supervised by a responsible person to ensure that they can use appliance safely. Young children should be supervised to ensure that they do not play with the appliance.



Do not place rough or uneven appliances, which may damage the ceramic surface.



If the surface is cracked, switch off the appliance to avoid the possibility of electric shock.



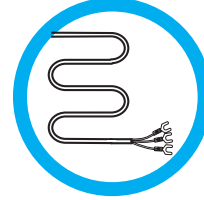
Do not put any detergents or flammable materials in the equipment installed under the ceramic cooker hob.



Because the hob can generate very high temperature, please use a pot resistant to a temperature of over 200 ;



After being used the corresponding heating zone of the ceramic cooker is still hot. Never touch the ceramic surface to avoid burn.



If the supply cord is damaged , it must be replaced by the manufacturer, its service agent or similarly qualified persons in order to avoid a hazard.

### Cleanness and Maintenance

You can easily clean the surface of the hob if following the methods given in the table.

Type of contamination	Method of cleaning	Articles used for cleaning
Light	Immerse in hot water then wipe it dry	Cleaning sponge
Accumulation of dirt	Immerse in hot water then wipe it dry with abrasive sponge	Special cleaning sponge for ceramic glass
Rings and lime crumbles	Apply white vinegar to the polluted zone, then wipe it dry with soft cloth or a special article available in local markets	Special adhesive for ceramic glass
Sweetmeat, melt aluminum or plastics	Use a scraper suitable for ceramic glass (to protect glass, a silicon product is preferred) to remove residuals	Special adhesive for ceramic glass

**Hint: please disconnect power before the cleaning.**

## **Special Declaration**

---

All the contents in this material have been subjected to careful check. For any mistake and omission in printing or misunderstanding of the contents, the company keeps the right of interpretation.

Addition: any technical improvement will be placed in the revised manual without notice, for product appearance and color is according to the actual one.

---